



ULTIMATE POWER SOLUTION (FZC)

The world's best dealer on Diesel Power Generation, Control Systems & Power Solution

POWERED BY



CERTIFIED BY



13.1 KVA
3 PHASE

50 Hz

GENERATING SET MODEL (UPS P 15)

Output Ratings

Prime

Standby

380-415 V, 3 ph, 50 Hz, 1500 rpm

13.1 KVA

14.5 KVA

10 KW

11.6 KW

380-415 V, 3 ph, 60 Hz, 1800 rpm

15.8 KVA

17.5 KVA

12.6 KW

13.9 KW

15.8KVA
3 PHASE

60 Hz

ALTERNATOR DATA

Make

UPS / Leroy Somer

Model

UPS164D / TAL 040D

No. of bearings

1

Insulation class

H

Pole

4

Ingress Protection

IP23

Excitation System

Shunt

Winding Pitch

2/3

Overspeed

2250 mn⁻¹

Voltage Regulation (steady)

± 1%

ENGINE / TECHNICAL DATA

Ratings at 0.8 Power Factor

Engine Make

Perkins

Engine Model

403A-15G1

Governing Type

Mechanical

Number of Cylinders

3

Cylinder Arrangement

Vertical in line

Bore and Stroke mm

84 X 90

Displacement / Cubic Capacity litres

1.496

Induction System

Naturally Aspirated

Cycle

4 stroke

Combustion System

Indirect Injection

Compression Ratio

22.5:1

Rotation

Anti-clockwise, viewed on flywheel

Cooling System

Water - cooled

Frequency and Engine Speed

50Hz & 1500rpm

60 Hz & 1800rpm

Fuel Consumption @ 50% load L/hr

2.0

2.5

@ 75% load L/hr

2.8

3.4

@ 100% load L/hr

3.7

4.4

Total Lubrication System Capacity litres

6.0

6.0

Total Coolant Capacity (inc. radiator) litres

6.0

6.0

Exhaust Temperature: °C

445

490

CONTROL PANEL

Make

Deep Sea

Model

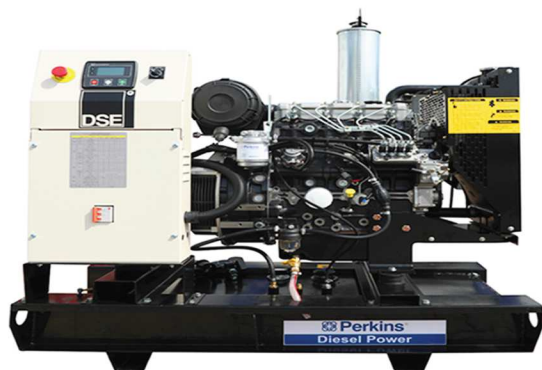
4000 SERIES

The DSE 4000 Series is an Auto Start Control Module for single genset applications. It includes a backlit LCD display which clearly shows the status of the engine all the times. This module can either be programmed using the front panel or by using the DSE configuration suite PC software.

Metering and Alarm indications:

- Generator frequency
- Underspeed, Overspeed
- Generator volts (L-L, L-N)
- Generator current
- Engine oil pressure
- Engine coolant temperature
- Hours run counter
- Battery volts
- Fail to start/stop
- Emergency stop
- Failed to reach loading voltage/frequency

Image for illustrative purposes only



13.1 KVA
3 PHASE

50 Hz

STANDARD SPECIFICATIONS

60 Hz

15.8 KVA
3 PHASE

1. ENGINE

Perkins four stroke heavy duty high performance industrial type diesel engine.

2. ENGINE FILTRATION SYSTEM

- Cartridge type dry air filter.
 - Two Cartridge type fuel filters.
 - Full flow lube oil filter.
- All filters have replaceable elements.

3. COOLING RADIATOR

Radiator and cooling fan, complete with safety guards, designed to cool the engine at high ambient temperatures (consult your dealer for de-ration factors)

4. EXHAUST SYSTEM

Exhaust gas flow	2.7 m ³ /min
Maximum allowable back pressure	10.2 (kPa)

5. CIRCUIT BREAKER TYPE

3 pole MCCB. (4 pole is optional)

6. FUEL SYSTEM

The baseframe design is incorporated with an integral fuel tank with a capacity of approx. 8 hours running at Full Load. The tank is supplied complete with fill cap breather, fuel feed and return lines to the Engine and drain plug.

7. ALTERNATOR

7.1 INSULATION SYSTEM

- The insulation system is Class H.
- All windings are impregnated in either a triple dip thermosetting liquid, oil and acid resisting polyester varnish or vacuum pressure impregnated with a special polyester resin.
- Heavy coat of antitracking varnish additional protection against moisture or condensation.

7.2 AUTOMATIC VOLTAGE REGULATOR (AVR)

The fully sealed Automatic Voltage Regulator maintains the Voltage Regulation at $\pm 1\%$. Nominal adjustment by means of a trim pot incorporated on the AVR.

8. MOUNTING ARRANGEMENT

8.1 COUPLING

The Engine and Alternator are directly coupled by means of an SAE flange. The Engine flywheel is flexibly coupled to the Alternator rotor.

8.2 ANTI-VIBRATION MOUNTING PADS

Anti-Vibration pads are affixed between the Engine / Alternator feet and the Baseframe thus ensuring complete vibration isolation of the rotating assembly.

8.3 SAFETY GUARDS

The Fan & Fan Drive along with the Battery Charging Alternator are Safety Guard protected for personnel protection.

9. FACTORY TEST

- The Generating set is load tested before dispatch
- All protective devices control functions and site load conditions are simulated. The generator and it's systems are checked before dispatch.

10. EQUIPMENT FINISHING

All mild steel components are fully degreased and painted with powder coated paint to ensure maximum scuff resistance and durability.

11. DOCUMENTATION

Operation & Maintenance manual, Circuit wiring diagrams and Commissioning / Fault Finding instruction leaflets are accompanied with the Generator.

12. QUALITY STANDARDS

The equipment meets the following standards: BS4999, BS5000, BS5514 IEC 60034, VDE0530, NEMA MG 1.22 and ISO 8528.

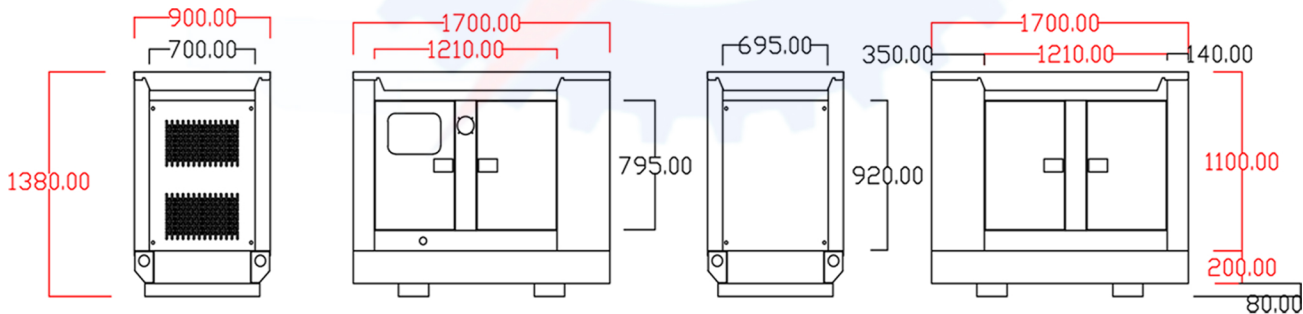
13. WARRANTY

All of the Generating Sets are covered under a warranty policy for a period of 12 months or 1000 working hours, Warranty of the equipment is in line with manufacturers warranty terms & conditions. (check warranty statement for more details, as it may vary for different countries)

In line with continuous product development, we reserve the right to change specifications without notice.

STANDARD GENERATOR DIMENSION AND WEIGHT

Silent Type (with Soundproof Canopy)



Open Type (without Soundproof Canopy)

